

SLINGER, BEARING, HUB, DRUM, WHEEL, TIRE and CAP INSTALLATION—FRONT
ILLUSTRATION No. 14

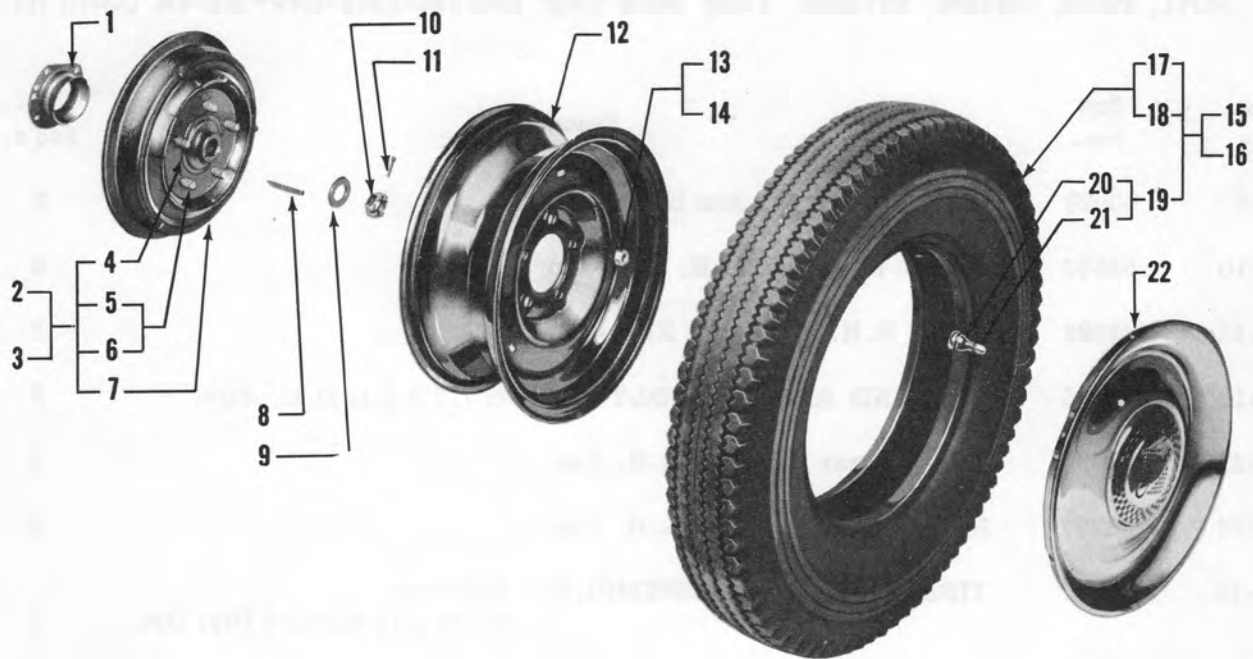
SLINGER, BEARING, HUB, DRUM, WHEEL, TIRE and CAP INSTALLATION—FRONT

Illus. Key	Part No.	Description	No. Req'd.
14-1	70301	SLINGER - Front Hub Inner Bearing Oil	2
14-2	80841	SEAL ASSEMBLY - Front Hub Inner Bearing Oil	2
14-3	81048	CONE - Front Hub Inner Bearing	2
14-4	81040	HUB AND DRUM ASSEMBLY - R. H. Front	1
14-5	81041	HUB AND DRUM ASSEMBLY - L. H. Front	1
14-6	62411	HUB ASSEMBLY - R. H. And L. H. Front	2
14-7	62409	CUP - R. H. And L. H. Front Hub Inner Bearing	2
14-8	N. S. S.	HUB - R. H. And L. H. Front	2
14-9	62410	CUP - R. H. And L. H. Front Hub Outer Bearing	2



SLINGER, BEARING, HUB, DRUM, WHEEL, TIRE and CAP INSTALLATION—FRONT (cont'd)

Illus. Key	Part No.	Description	No. Req'd.
HUB AND DRUM ASSEMBLIES - Front (Cont'd)			
14-10	62540	STUD - Front Hub R. H.	5
14-11	62541	STUD - Front Hub L. H.	5
14-12	62402	DRUM - Front R. H. And L. H.	2
14-13	81047	CONE - Front Hub Outer Bearing	2
14-14	70285	WASHER - R. H. And L. H. Steering Knuckle Spindle	2
14-15	103385	PIN - R. H. And L. H. Steering Knuckle Spindle Nut Cotter	2
14-16	70286	NUT - R. H. And L. H. Steering Knuckle Spindle	2
14-17	70303	CAP - Front Hub Grease	2
14-18	81315	DISC AND RIM ASSEMBLY - Wheel (15 x 6 L. D. C. Rim)	2
14-19	70296	NUT - Front Hub Stud R. H. Cap	5
14-20	70297	NUT - Front Hub Stud L. H. Cap	5
14-21	92877	TIRE AND VALVE ASSEMBLY - Tubeless (7.10 x 15 Black 6 Ply) Opt.	2
14-22	92878	TIRE AND VALVE ASSEMBLY - Tubeless (7.10 x 15 Whitewall 6 Ply) Opt.	2
14-23	N. S. S.	TIRE - Tubeless (7.10 x 15 Black 6 Ply)	2
14-24	N. S. S.	TIRE - Tubeless (7.10 x 15 Whitewall 6 Ply)	2
14-25	64174	VALVE AND CAP ASSEMBLY - Tire Stem (Rubber)	2
14-26	N. S. S.	VALVE - Tire Stem	2
14-27	64175	CAP - Tire Stem Valve	2
14-28	92213	COVER - Wheel	2



SEAL, HUB, DRUM, WHEEL, TIRE and CAP INSTALLATION—REAR
ILLUSTRATION No. 15

SEAL, HUB, DRUM, WHEEL, TIRE and CAP INSTALLATION—REAR

Illus. Key	Part No.	Description	No. Req'd.
15-1	80293	SEAL ASSEMBLY - Rear Hub Oil	2
15-2	80026	HUB AND DRUM ASSEMBLY - R. H. Rear	1
15-3	80027	HUB AND DRUM ASSEMBLY - L. H. Rear	1
15-4	62401	HUB - R. H. And L. H. Rear	2
15-5	62540	STUD - Rear Hub R. H.	5
15-6	62541	STUD - Rear Hub L. H.	5
15-7	62402	DRUM - R. H. And L. H. Rear	2
15-8	80294	KEY - R. H. And L. H. Rear Hub To Axle Shaft	2



SEAL, HUB, DRUM, WHEEL, TIRE and CAP INSTALLATION—REAR (cont'd)

Illus. Key	Part No.	Description	No. Req'd.
15-9	80029	WASHER - R. H. And L. H. Rear Hub	2
15-10	63550	NUT - R. H. And L. H. Rear Hub	2
15-11	103388	PIN - R. H. And L. H. Rear Hub Nut Cotter	2
15-12	81315	DISC AND RIM ASSEMBLY - Wheel (15 x 6 L.D.C. Rim)	2
15-13	70296	NUT - Rear Hub Stud R. H. Cap	5
15-14	70297	NUT - Rear Hub Stud L. H. Cap	5
15-15	92877	TIRE AND VALVE ASSEMBLY - Tubeless (7.10 x 15 Black 6 Ply) Opt.	2
15-16	92878	TIRE AND VALVE ASSEMBLY - Tubeless (7.10 x 15 Whitewall 6 Ply) Opt.	2
15-17	N.S.S.	TIRE - Tubeless (7.10 x 15 Black 6 Ply)	2
15-18	N.S.S.	TIRE - Tubeless (7.10 x 15 Whitewall 6 Ply)	2
15-19	64174	VALVE AND CAP ASSEMBLY - Tire Stem (Rubber)	2
15-20	N.S.S.	VALVE - Tire Stem	2
15-21	64175	CAP - Tire Stem Valve	2
15-22	92213	COVER - Wheel	2